

S.S.HYDRAULICS

An ISO 9001:2015 Company
Since Year 2000..



TM

BOSS



***Hydraulic Gear Pumps
Hydraulic Cast Iron Pumps
Hand Pumps***



Award for Quality Winner
2018 - 2019

www.bossgroup.co.in

PROFILE

S. S. HYDRAULICS is an ISO 9001:2015 Certified Company. We produce Hydraulic Gear Pumps with Cast Iron and Aluminium extrusion housing and Hand Pump under the brand name of **BOSS. SINCE THE YEAR 2000...**

S. S. HYDRAULICS (BOSS) – has Customer across the globe **S. S. HYDRAULICS**, having state of the art manufacturing facilities, incorporates the largest process technologies. It is able to meet varied customer needs with range of over 100 different types of hydraulic pumps with displacement ranging form 1cc to 110cc with maximum pressure of 250 Bar.

S. S. HYDRAULICS also having Distribution Division of Hydraulic Parts like Hydraulic Mini Power Packs (AC, DC) Hydraulic Motors, Hydraulic Steering Units, Hydraulic Control Valves which are Imported from across the Globe and distributing in India under the brand of MERBOK.

S. S. HYDRAULICS exports the products to world wide like since 2003....

FACILITIES



« DESIGN & QUALITY

SSH has designing of 2D, 3D and Cam software using for modeling, Reverse Engineering and New Product Development, Quality with Precise Measurement (Micron Dimension) with Trimos Height Gauge Swiss Make.

» CNC SHOP «

SSH has equipped with CNC Lathes which includes HAAS (USA) and ACE Micromatic India Producing all major components in-house machining



« CNC ANGULAR GRINDING

3 Axis CNC Cylindrical Angular Grinding Machine, with In Process width control gauge and OD Control Gauge from MARPOSS (Italy)

» VMC SHOP «

SSH equipped with Vertical Machining Center which includes HAAS (USA) and ACE Micromatic India



« GEAR SHOP

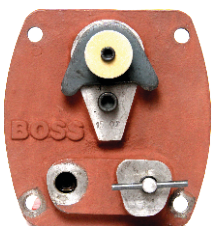
SSH equipped with Churchil Gear Hobbing machine and Red Ring UK Gear Shaving Machine for making in-house gear production

» ASSEMBLY «

SSH has DUST PROOF assembly room with Temperature Control with AC for making assembly very precisely with controlled tolerance components for better performance



HAND PUMPS



Manual Pumps for single and double acting cylinder. Displacement of Pumps are 14.6cc & 25cc with max. Peak pressure up to 300 bar.

HYDRAULIC GEAR PUMPS



BOSS

GROUP 00P PUMP TECHNICAL DATA

Pump Type	Nominal Delivery lpm @ 1500 rpm	Pressure in bar	Max Speed rpm	Ports	
				Suction	Delivery
P-20	3.0	230	3000	G 3/8"	G 3/8"
P-50	7.5	230	3000	G 1/2"	G 3/8"
P-75	11.25	230	3000	G 1/2"	G 3/8"



GROUP 0P TECHNICAL DATA



Pump Type	Nominal Delivery lpm @ 1500 rpm	Pressure in bar	Max Speed rpm	Ports	
				Suction	Delivery
6003	1.2	200	3000	G 3/8"	G 3/8"
6004	1.8	200	3000		
6006	2.5	200	3000		
6008	3.4	200	3000		
6011	4.8	200	3000	G 1/2"	G 1/2"
6013	5.8	200	3000		
6015	6.8	200	3000		

GROUP 1P PUMP TECHNICAL DATA

Pump Type	Nominal Delivery lpm @ 1500 rpm	Pressure in bar	Max Speed rpm	Ports	
				Suction	Delivery
BHP14	6.8	250	3500	G 1/2"	G 1/2"
BHP17	8.0	250	3500		
BHP20	9.5	250	3500		
BHP28	13.1	250	3500		
BHP36	16.6	250	3500	G 3/4"	G 3/4"
BHP44	20.5	250	3000		
BHP52	24.0	250	3000		
BHP60	27.7	230	3000		
BHP72	33.0	210	3000		
BHP90	41.0	180	2500		



GROUP 2P PUMP TECHNICAL DATA



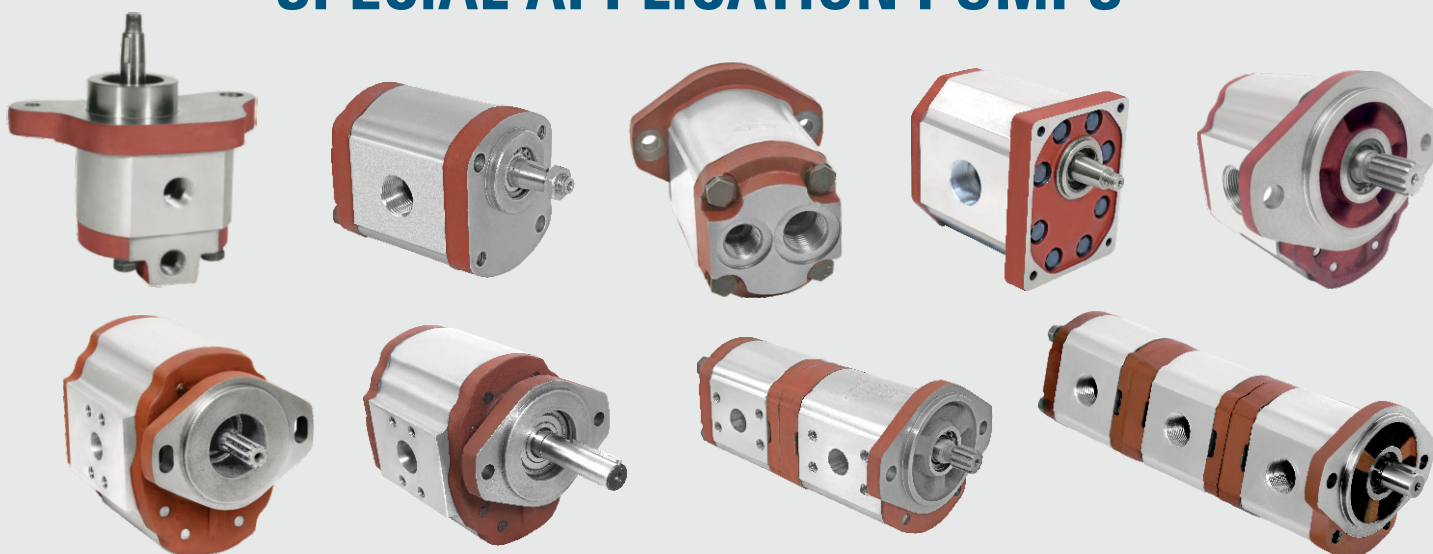
Pump Type	Nominal Delivery lpm @ 1500 rpm	Pressure in bar	Max Speed rpm	Ports	
				Suction	Delivery
6050	22.7	200	2900	4 Hole mounting 3/8"-16 UNC	4 Hole mounting 3/8"-16 UNC
6070	32.0	200	2900		
6090	41.0	200	2900		
6105	47.7	200	2900		
6120	54.5	200	2900		
6146	66.5	170	2500		
6158	71.8	170	2500		
6185	84.0	150	2400		
6220	100.0	130	2400		

GROUP 2P HIGH PRESSURE PUMP TECHNICAL DATA

Pump Type	Nominal Delivery lpm @ 1500 rpm	Pressure in bar	Max Speed rpm	Ports	
				Suction	Delivery
G322	28.2	250	3000	G 3/4"	G 3/4"
G328	40.0	250	3000		
G332	46.0	250	2500		
G336	51.0	250	2500	G 1"	
G342	60.0	230	2300		
G346	66.0	230	2300		
G350	72.0	200	2100		
G355	79.0	200	1750		
G360	86.0	180	1750		



SPECIAL APPLICATION PUMPS



FEATURES:

- High Pressure
- Less Noise
- More Efficiency
- Less Pressure Drop
- More Life



GROUP - 0P - 0P

0P Pumps are available in SAE two bolt & four bolt flanges with parallel & taper shafts. Displacement: 2.4 Lpm to 14 Lpm Maximum pressure @ **200 bar**.



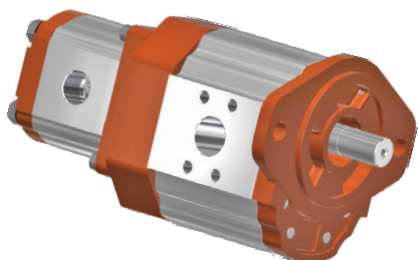
GROUP - 1P - 1P

BHP series has developed for **HIGH PRESSURE APPLICATION**, which can use up to **230 bar** maximum pressure. Pumps are available in SAE two bolt & four bolt flanges with parallel, spline & taper shafts. Displacement: 14 Lpm to 82 Lpm. Maximum pressure @ **230 bar**. TANDEM PUMPS ARE ALSO AVAILABLE IN THESE SERIES.



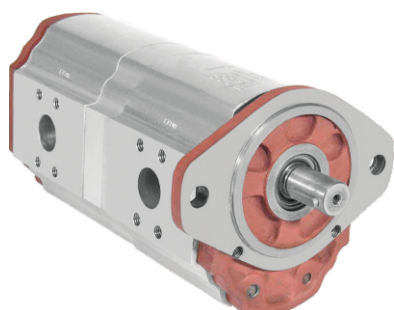
GROUP - 1P - 0P

Pumps are available in SAE two bolt & four bolt flanges with parallel, spline & taper shafts. Displacement: 8 Lpm to 48 Lpm. Maximum pressure @ **200 bar**. TANDEM PUMPS ARE ALSO AVAILABLE IN THESE SERIES.



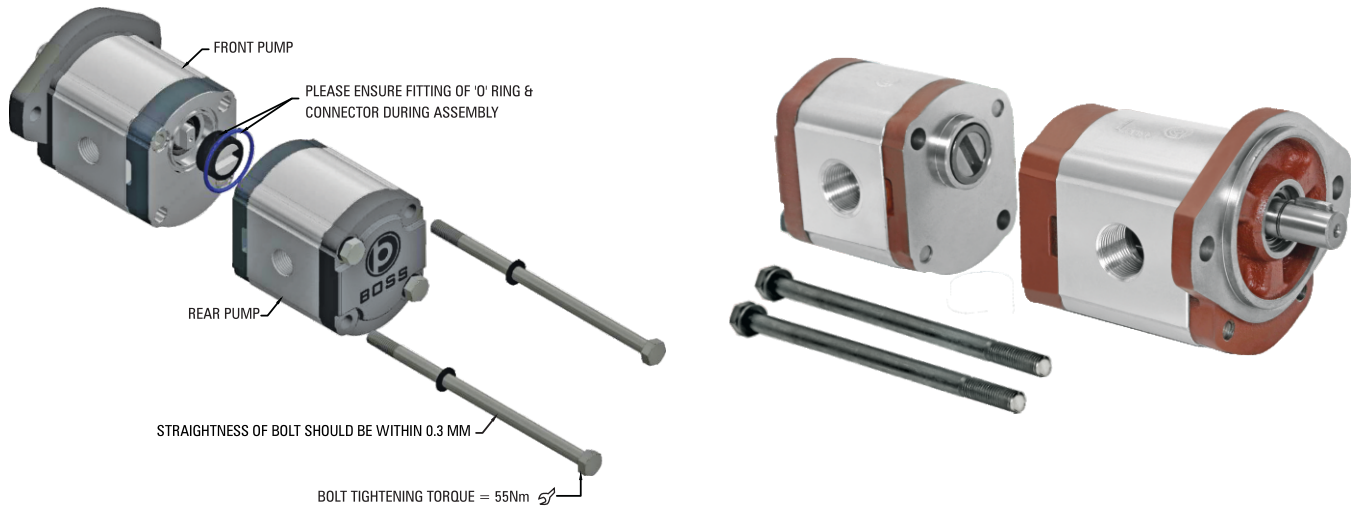
GROUP - 2P - 1P

PUMPS are available in SAE two bolt & four bolt flanges with parallel, spline & taper shafts. Displacement: 30 Lpm to 140 Lpm. Maximum pressure @ **200 bar**.



GROUP - 2P - 2P

PUMPS are available in SAE two bolt & four bolt flanges with parallel, spline & taper shafts. Displacement: 60 Lpm to 200 Lpm. Maximum pressure @ **200 bar**.



WE ARE MANUFACTURING THE BHP SERIES TANDEM PUMP WITH "OLDHAM COUPLING" CONNECTION.

Benefits of this OLDHAM COUPLING:

- Rear Pump Interchangeability with any Combination(CC) of Tandem Pumps.
- Both pumps can be used at peak pressure
- The Protrusion parts of the Tang shaft seats in properly with Coupling.
- Since it is OLDHAM COUPLING, even if the motor- bell housing pump(1st) and the 2nd pump are misaligned the functioning won't be affected
- Thye user or customer can change the pump whichever is worn out at the time of replacement.
- The life of pumps are more as the Oldham coupling takes care of the pump in its alignment, The Guide bush life is fantastic, Volumetric efficiency is maintained for the direct coupling pumps.

DESCRIPTION		
SR. NO.	MODEL NO.	BOLT LENGTH
1	BHP 14 + BHP 14	150
2	BHP 17 + BHP 14	
3	BHP 17 + BHP 17	
4	BHP 20 + BHP 14	
5	BHP 20 + BHP 17	160
6	BHP 20 + BHP 20	
7	BHP 28 + BHP 14	
8	BHP 28 + BHP 17	
9	BHP 28 + BHP 20	
10	BHP 28 + BHP 28	165
11	BHP 36 + BHP 14	
12	BHP 36 + BHP 17	
13	BHP 36 + BHP 20	170
14	BHP 36 + BHP 28	
15	BHP 36 + BHP 36	175
16	BHP 44 + BHP 14	
17	BHP 44 + BHP 17	170
18	BHP 44 + BHP 20	
19	BHP 44 + BHP 28	175
20	BHP 44 + BHP 36	180
21	BHP 44 + BHP 44	185
22	BHP 52 + BHP 14	
23	BHP 52 + BHP 17	175
24	BHP 52 + BHP 20	
25	BHP 52 + BHP 28	180
26	BHP 52 + BHP 36	185
27	BHP 52 + BHP 44	190

DESCRIPTION		
SR. NO.	MODEL NO.	BOLT LENGTH
28	BHP 52 + BHP 52	195
29	BHP 60 + BHP 14	170
30	BHP 60 + BHP 17	
31	BHP 60 + BHP 20	180
32	BHP 60 + BHP 28	185
33	BHP 60 + BHP 36	
34	BHP 60 + BHP 44	190
35	BHP 60 + BHP 52	195
36	BHP 60 + BHP 60	200
37	BHP 72 + BHP 14	170
38	BHP 72 + BHP 17	
39	BHP 72 + BHP 20	185
40	BHP 72 + BHP 28	190
41	BHP 72 + BHP 36	
42	BHP 72 + BHP 44	195
43	BHP 72 + BHP 52	200
44	BHP 72 + BHP 60	205
45	BHP 72 + BHP 72	210
46	BHP 90 + BHP 14	
47	BHP 90 + BHP 17	195
48	BHP 90 + BHP 20	
49	BHP 90 + BHP 28	
50	BHP 90 + BHP 36	200
51	BHP 90 + BHP 44	205
52	BHP 90 + BHP 52	210
53	BHP 90 + BHP 60	215
54	BHP 90 + BHP 72	220
55	BHP 90 + BHP 90	230

CAST-IRON GEAR PUMP

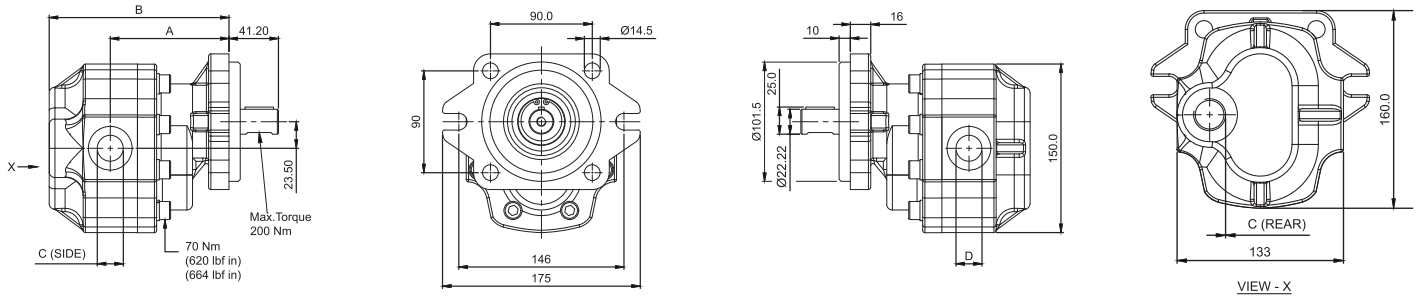


BOSS

Series: (811) GAMMA

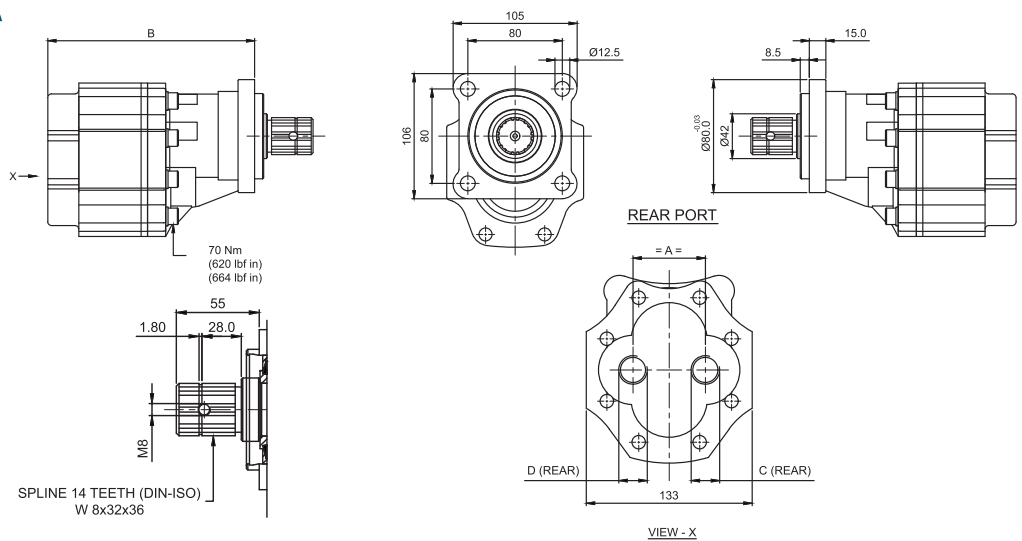
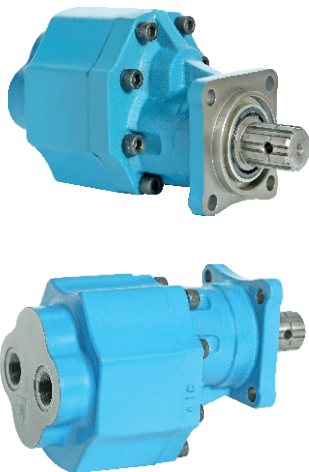


Cast Iron Hydraulic Gear pump displacements from 28 cc/rev. to 83 cc/rev. Max. peak pressure up to 250 bar max. Application : Front and Backhoe loaders, Earthmoving and Construction Machines, Truck Pto's etc.



PUMP MODEL	DISPLACEMENT cc/rev.	PRESSURE in bar	MAX SPEED rpm	A	B	C (SUCTION PORT)	D (DELIVERY PORT)	
				mm	mm		SIDE	REAR
MCP 30-28	28.0 cc	280	2600	102	158	G 3/4"	G 3/4"	
MCP 30-35	35.0 cc	280	2300	103	161			
MCP 30-39	39.0 cc	280	2300	106	166			
MCP 30-44	44.0 cc	280	2100	109	169			
MCP 30-52	52.0 cc	230	2100	105	173	G 1"	G 1"	
MCP 30-55	55.0 cc	230	2100	107	175			
MCP 30-62	62.0 cc	210	2000	110	180			
MCP 30-65	65.0 cc	210	1800	112	182			
MCP 30-74	74.0 cc	180	1600	114	183			

Series: (812) GAMMA



PUMP MODEL	DISPLACEMENT cc/rev.	PRESSURE in bar	MAX SPEED rpm	A	B	CODE - R (REAR PORT)	
				mm	mm	C SUCTION PORT	D DELIVERY PORT
CPDR 30-44	44.0 cc	270	2000	58	190	G 3/4"	G 3/4"
CPDR 30-55	55.0 cc	250	1800	58	198	G 1"	G 1"
CPDR 30-65	65.0 cc	230	1800	58	204		
CPDR 30-83	83.0 cc	200	1700	58	215	G 1-1/4"	

HYDRAULIC MOTORS

Motor Series :

MHM | MHP | MHR
MHS | MHT | MHTS



MONO BLOCK VALVES

40 LTS, 80 LTS & 120 LTS
Max. Pressure 315 Bar
(1 to 6 spools)



HYDRAULIC POWER PACKS [AC/DC]



AC/DC Hydraulic mini power packs which cover 12, 24 and 48 volts in DC and from 0.5 HP up to 3 HP single and three phase, with flow range from 1cc to 5 cc.

SEWER JETTING TRIPLEX PUMP



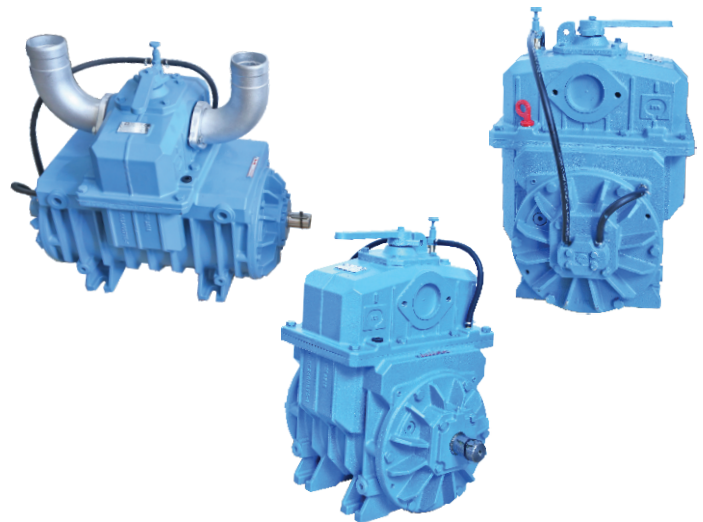
High pressure triplex plunger pump for Sewer Jetting Machine / Fire Fighting. Flow of 100, 155, 200, 267 with Max. Pressure of 200 bar.



MORO - AIR VANE VACUUM PUMP



Range from (PM 60, 7200 Lt/m), (PM 70, 9400 Lt / m), (PM 80, 12000 Lt / m)



Pumps shown above represent a small portion of our Product Range. Ask for our Product list or visit our Website. We reserve the right to technical modifications. The above products shown only for reference.

S.S.HYDRAULICS



Reg. office & Works

C-1/276, Phase 1, G.I.D.C., Naroda.
Ahmedabad - 382 330. Gujarat, India.
Tel.: +91-79-22800836/38/39
E-mail : sales@bossgroup.co.in

Sales Contact Numbers in India

Head Office : +91 94284 16632
North & East : +91 63549 12519
Central : +91 89800 17747
South : +91 73392 22968