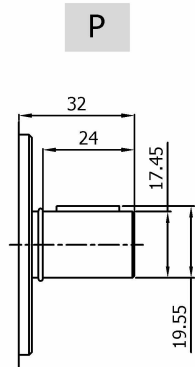
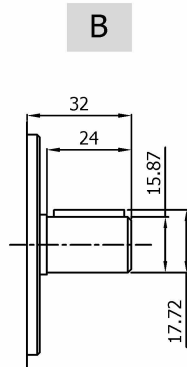


Pump Type	Nominal Delivery lpm @ 1500 rpm	Pressure P1 bar	Max Speed rpm	Dimension			
				A mm	B mm	Suction C	Delivery D
BHP-14	6.8	250	4000	41.00	88.50	G 1/2"	G 1/2"
BHP-17	8.0	250	4000	41.60	90.50		
BHP-20	9.5	250	4000	42.40	92.00		
BHP-28	13.1	250	4000	44.40	96.00		
BHP-36	16.6	250	3500	46.20	99.50		
BHP-44	20.5	250	3000	48.20	103.5	G 3/4"	G 3/4"
BHP-52	24.0	250	3000	50.40	108.0		
BHP-60	27.7	230	3000	52.40	112.0		
BHP-72	33.0	210	3000	55.60	118.5		
BHP-90	41.0	180	2500	59.90	127.0		

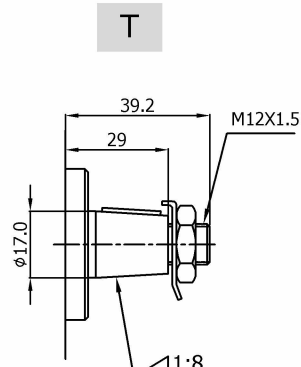
SHAFTS



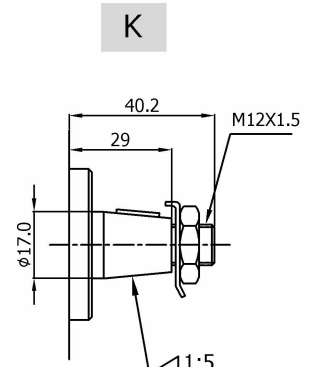
P
BS:46
3/16" SQ.KEY



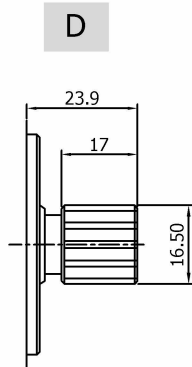
B
DIN 6885
KEY 4x20



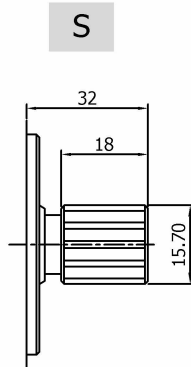
T
405 Woodruff Key
1/8 x 5/8



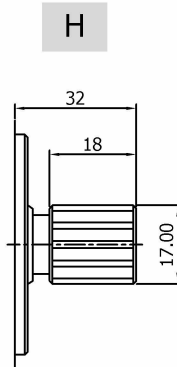
K
Woodruff Key
DIN 6888 3x5



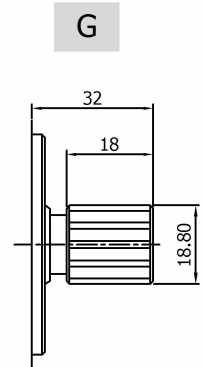
D
DIN 5482
B17x14
9 TEETH



S
SAE SPLINE
FLAT ROOT SIDE FIT
9 TEETH 16/32 DP.
CLASS 1 FIT

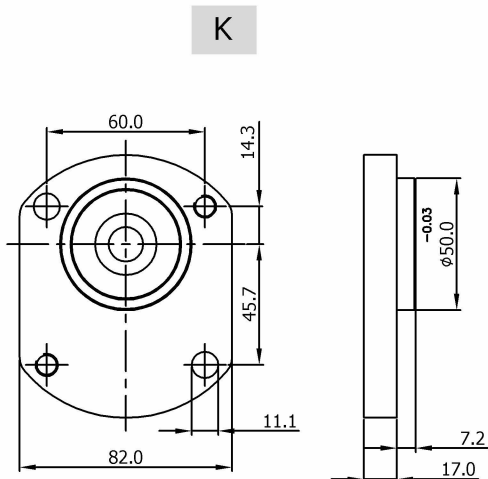


H
SAE SPLINE
FLAT ROOT SIDE FIT
10 TEETH 16/32 DP.
CLASS 1 FIT

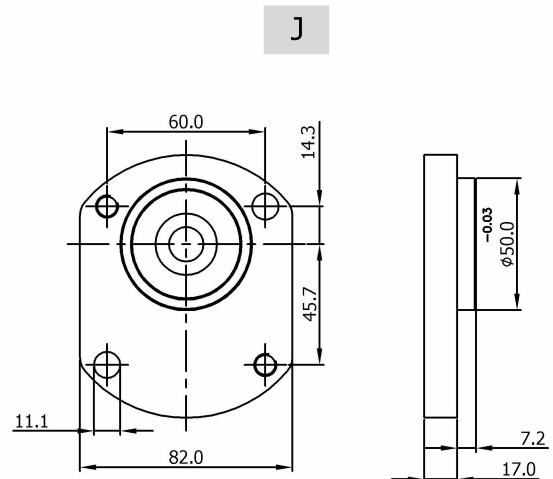


G
SAE SPLINE
FLAT ROOT SIDE FIT
11 TEETH 16/32 DP.
CLASS 1 FIT

MOUNTING FLANGE



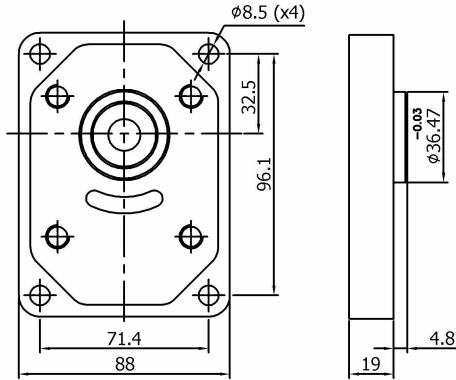
K



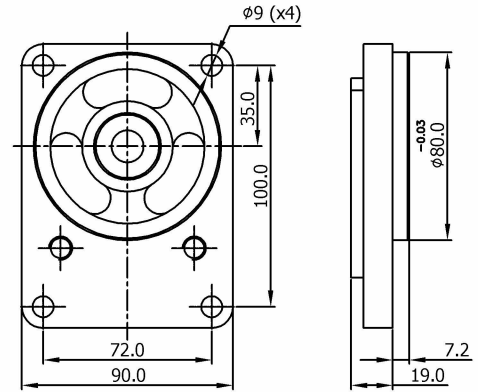
J

MOUNTING FLANGE

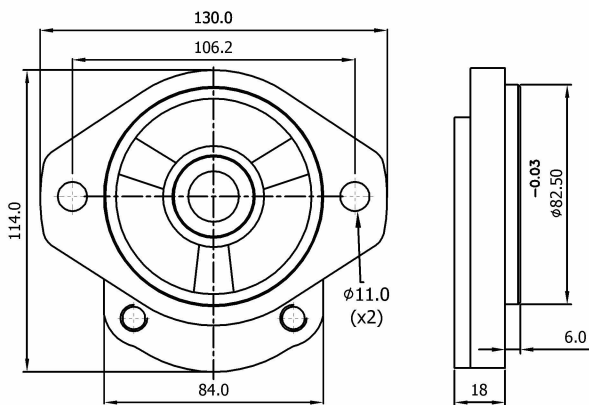
D



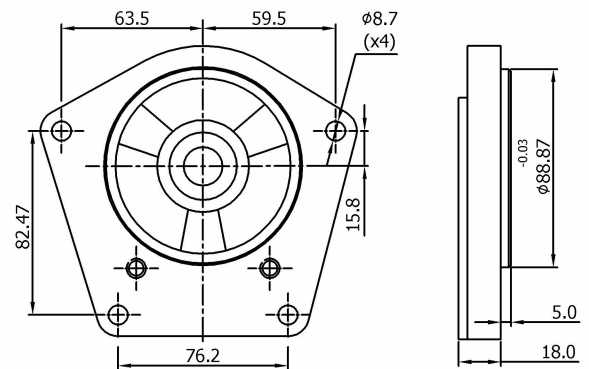
O



S



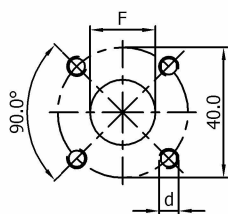
M



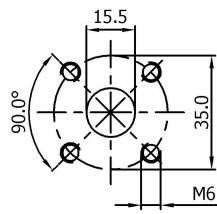
PORTS

CODE - M

Suction



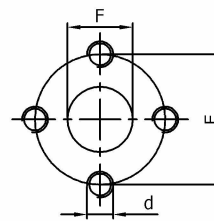
Delivery



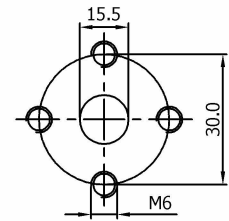
TYPE	F	d
BHP-14 to BHP-28	15.5	M6
BHP-36 to BHP-90	20.0	M6

CODE - N

Suction



Delivery

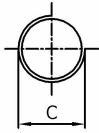


TYPE	E	F	d
BHP-14 to BHP-28	30.0	15.5	M6
BHP-36 to BHP-90	40.0	20.0	M8

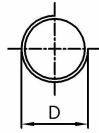
PORTS

CODE - T

Suction



Delivery



TYPE	C	D
BHP-14 to BHP-28	G 1/2"	G 1/2"
BHP-36	G 3/4"	G 1/2"
BHP-44 to BHP-90	G 3/4"	G 3/4"

CODE - U

Suction



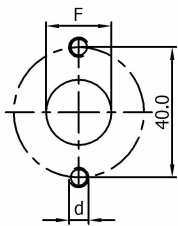
Delivery



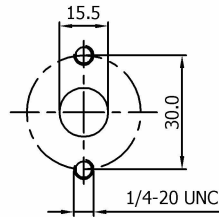
TYPE	C	D
BHP-14 to BHP-28	7/8-14 UNF	7/8-14 UNF
BHP-36 to BHP-90	1-1/16-12 UNF	7/8-14 UNF

CODE - I

Suction

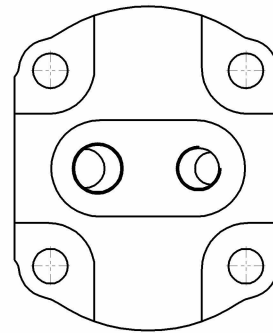


Delivery



TYPE	F	d
BHP-44	20.0	5/16-18 UNC

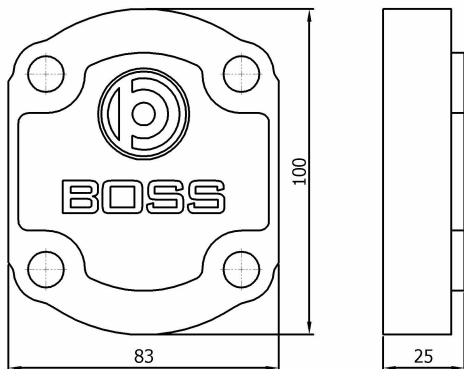
CODE - R



- Suction and Delivery Ports are located in the rear cover.
- G and T Type ports are Available.
- For more details about dimensions, please write to us.

REAR COVER

CODE - B



CODE - R

