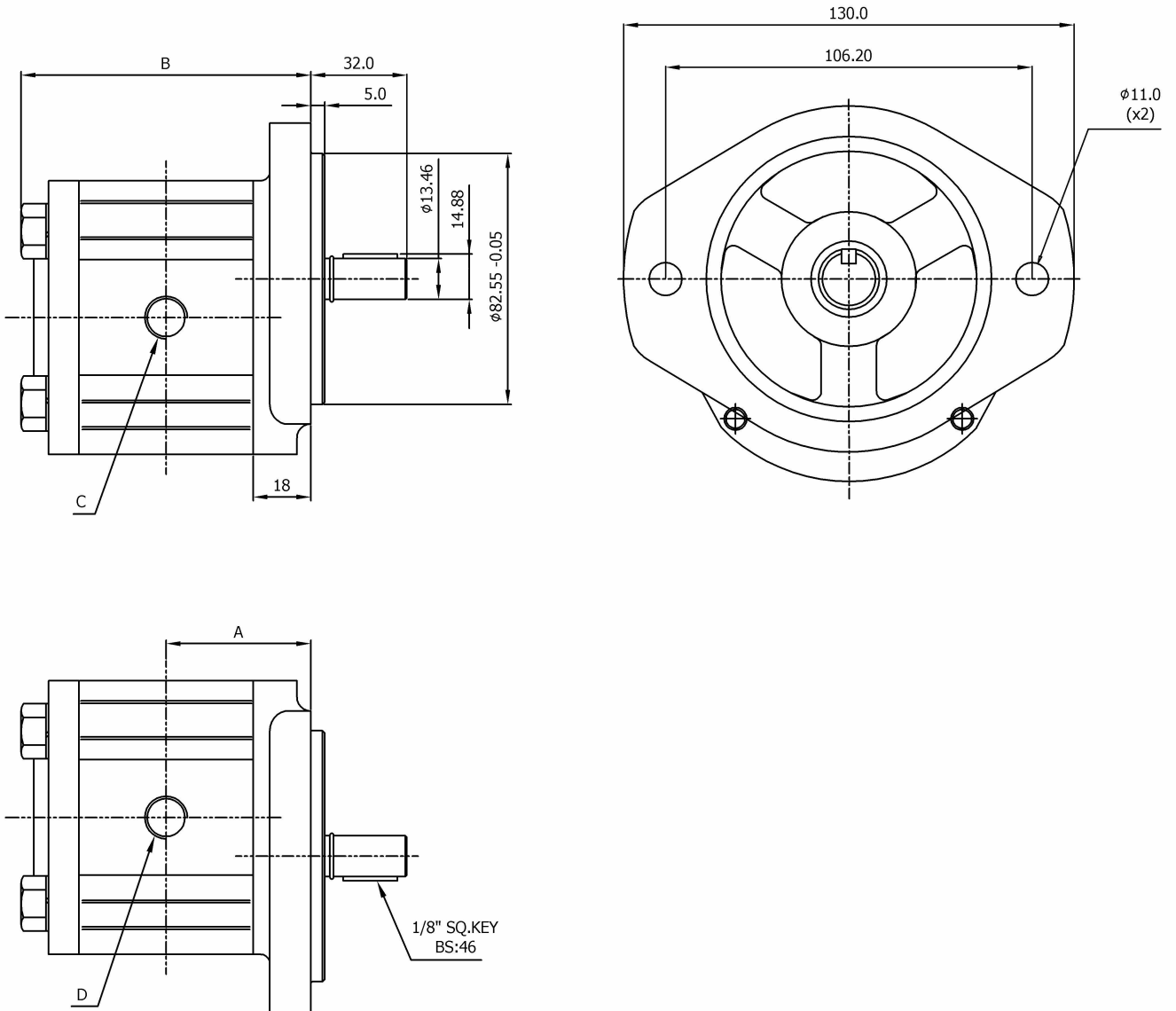
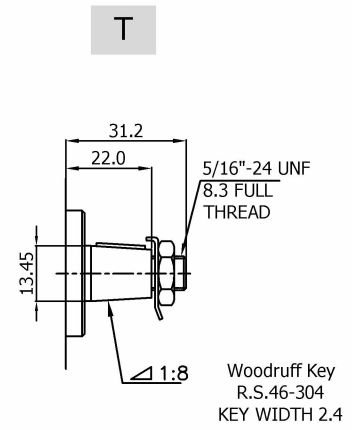
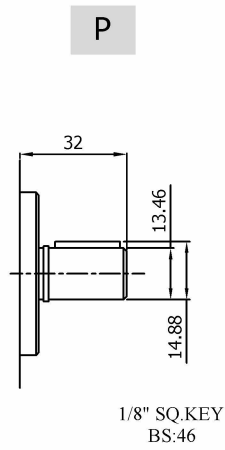


GROUP 1

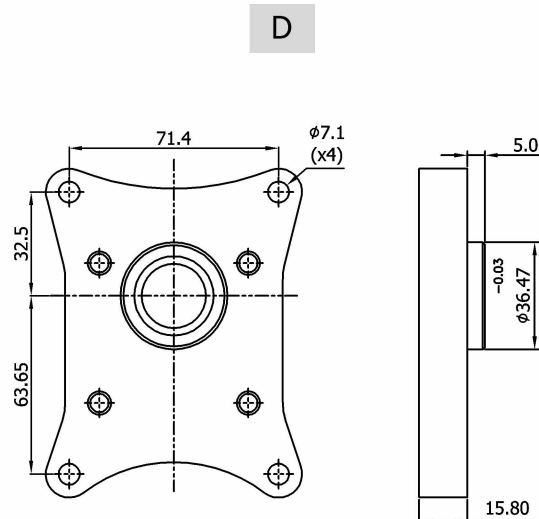
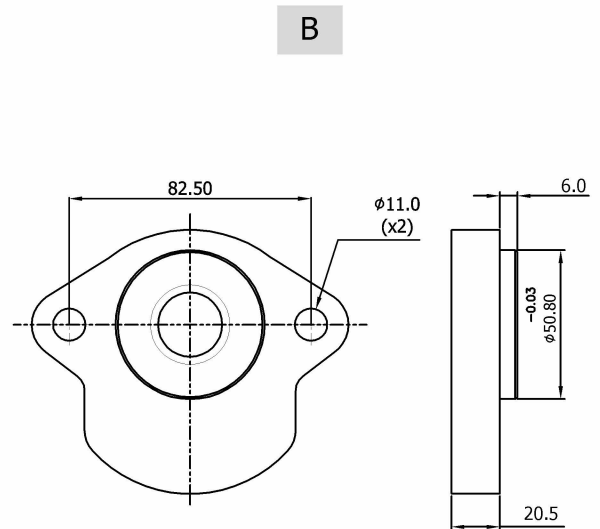
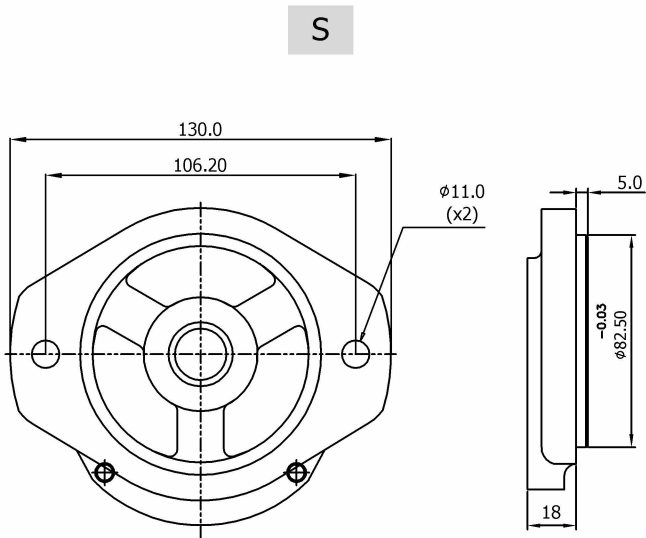


Pump Type	Nominal Delivery lpm @ 1500 rpm	Pressure P1 bar	Max Speed rpm	Dimension			
				A	B	Suction	Delivery
				mm	mm	C	D
6003	1.2	207	2950	37.30	76.60	G 3/8"	G 3/8"
6004	1.8	207	2950	37.60	77.20		
6006	2.5	207	2950	38.10	78.20		
6008	3.4	207	2950	38.80	79.60		
6011	4.8	207	2950	39.80	81.60	G 1/2"	G 1/2"
6013	5.8	207	2950	40.60	83.20		
6015	6.8	207	2950	41.30	84.60		

SHAFTS



MOUNTING FLANGE

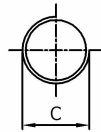


PORTS

CODE - T

Suction

Delivery

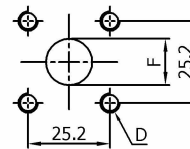
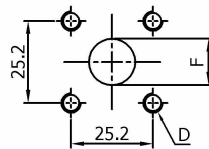


TYPE	C	D
6003 to 6011	G 3/8"	G 3/8"
6013 to 6015	G 1/2"	G 1/2"

CODE - F

Suction

Delivery



TYPE	F	D
6003 to 6015	14.2	1/4" 20 UNC

REAR COVER

CODE - B

